



## Cat. No. 0170 L.E.D. Series Navigation Lights

For use on sail or power driven vessels under 20 meters (65.6 ft.) in length.

### Mounting:

- A). Consider the location of the light to give:
  - i) Correct positioning of the light on the boat and
  - ii) The most convenient position for cleaning.
- B). Mount the red (port) and green(starboard) sidelights accurately vertical in the same thwartship plane and at the same height above the waterline at least one meter below the masthead light.
- C). Mount the white masthead light vertical on the centerline clear of all other lights at least 1 meter above the sidelights.
- D). Mount the white stern light vertical on the centerline and high enough not to be obscured by a following sea.

### Installation Instructions:

- A). Unscrew and remove lens assembly.
- B). Observe voltage and polarity of supply connections. Strip supply cable ends and connect to pigtail leads on back of light.
- C). Mount base assembly using only round head or pan head screws (screw diameter 5mm or No. 10 wood screw) DO NOT use counter sunk screws.
- D). Locate the lens assembly on the base. Tighten mounting screw.

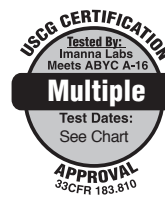
### Electrical Connections:

Always use cable of sufficient size to ensure total voltage drop is less than 0.5 volt for a nominal 12 volt installation or 1 volt for a nominal 24 volt installation. Recommended minimum cable size 1.5mm<sup>2</sup> (No.16AWG).

### Cleaning:

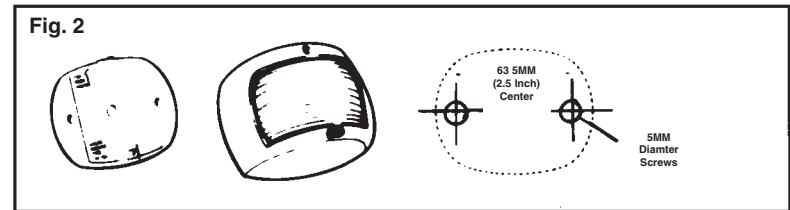
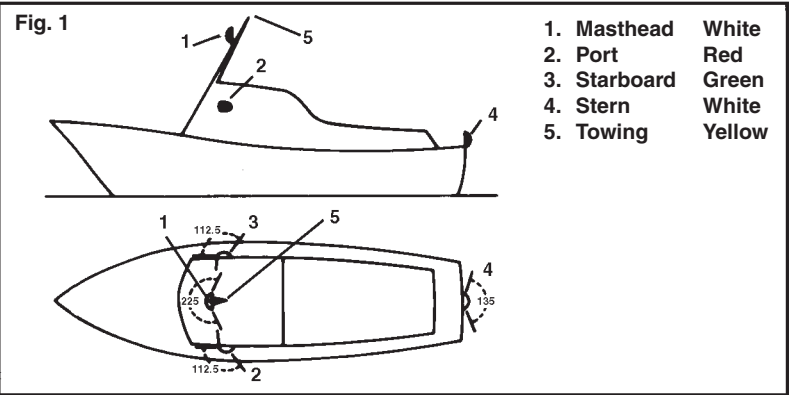
Use only fresh water and mild detergents to clean.

02/19  
0170INS3



## 0170 L.E.D. Series Certifications

Light	Color	Visibility	Test Date
Masthead	White	3nm	11/30/18
Port	Red	2nm	10/19/18
Starboard	Green	2nm	10/19/18
Stern	White	2nm	11/30/18
Towing	Yellow	2nm	12/28/18



PERKO, INC.  
16490 N.W. 13th Avenue  
Miami, FL 33164-5707  
www.perko.com